

TFV



7 - 25 TON

VERTICAL CUTTER HEADS

TFV 400 | TFV 600 | TFV 850

Designed for mounting on excavator booms, the TFV vertical cutter heads are ideal for profiling, excavating irregular shapes, cropping and cleaning pillars, trenching smaller widths, removing iron and steel residues, or mixing soils.

WATCH THE VIDEO

Scan the QR code using your smartphone



Flow control valve

Filter on feed line

SIMEX
TFV 850

Radial piston motor generates high cutting force

Drum fitted with mechanical gaskets for underwater works



CROPPING REINFORCED CONCRETE PILLARS

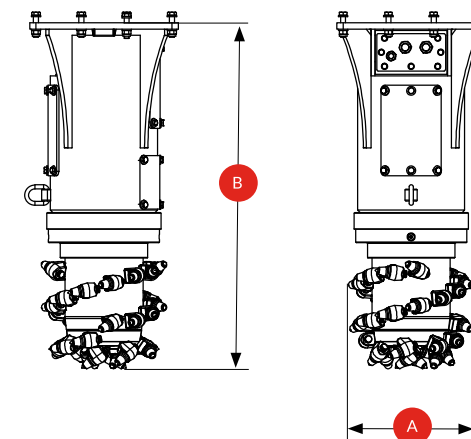
The vertical cutter head is often used in cropping pole heads in reinforced concrete, in order to strip the rebar. The cutter head ensures precision in the work area, while at the same time producing crushed material of a particle size suitable for immediate transfer to disposal centres or on-site reuse.

DOWNLOAD THE UPDATED TECHNICAL BROCHURE

Scan the QR code using your smartphone



TECHNICAL DATA		TFV 400	TFV 600	TFV 850
Recommended excavator weight (1)	ton lbs	7 - 12 15400 - 26400	10 - 18 22000 - 39600	15 - 25 33000 - 55000
Speed of rotation	rpm	100	90	80
Diameter A	mm inch	380 15	420 17	450 18
Height without mounting bracket B	mm inch	1000 40	1100 43	1200 48
Max. power	kW (hp)	37 (50)	50 (68)	60 (82)
Operating weight (2)	kg lbs	245 540	400 880	570 1255
Required oil flow	l/min gpm	60 - 110 16 - 29	100 - 140 26 - 37	120 - 170 32 - 45
Maximum pressure	BAR psi	350 5100	350 5100	350 5100



(1) The installer is responsible for ensuring that the equipment meets the excavator's specifications and weight requirement.

(2) Without mounting bracket attaching to prime mover.

Simex does not accept responsibility or liability for the information provided. Technical modifications may vary without prior notice.

